

Q5

Audi Q5





There are crossovers, and there's the Audi Q5.

It's time to make the status quo a notion of the past. For too long, crossovers have been too much this or too little that. Enter the entirely new Audi Q5, a perfect balance of form and function. Fluid design, copious power, extraordinary functionality and advanced technology not only define the new Audi Q5, it transcends what it means to be called a crossover.



**Confidence has its
own vantage point.**

With a cockpit tilted slightly toward the driver, the Audi Q5 offers a number of technological innovations to enhance the driving experience, including the new 3rd generation MMI® with dynamic 3-D navigation graphics. Of course, the very latest technology is just one in a long list of interior features. For example, the new Audi Q5 also offers power leather seats and real wood inlays, creating an environment where elegance and innovation become inseparable.

Audi Q5. Premium

1.

LED rear lights | LED lights are superior to conventional bulbs, with their activation speed and their long service life. They can last an entire vehicle lifetime, consume up to 50% less energy and take up less space.

2.

Heated and power mirrors | The exterior mirrors are electronically adjustable, heated to prevent fogging and house integrated LED turn signals.

3.

18" alloy wheels with 235/60 all-season tires | The ten-spoke V design alloy wheels come equipped with all-season tires, helping to ensure a safe and comfortable ride on virtually all driving surfaces.

4.

Wood decorative inlays | The genuine wood decorative inlays in dash, center console and door panels underscore the refined touch of luxury to the Audi Q5.

5.

Leather seating surfaces | The superior quality of leather and impeccable craftsmanship complement the strong side support and pronounced shoulder restraint of the seat design while adding to the elegant, dynamic and versatile driving experience.

+

Trip computer | The advanced trip computer within the driver information system gives the driver convenient and easily accessible information vital to the driving experience. Functions include timer, miles-to-empty, average MPG, average MPH and instant MPG.

+

Audi concert radio with ten speakers and SIRIUS® Satellite Radio | Audi concert radio features the Audi Sound System with 180 watts of power and ten total speakers, including two in each door, a subwoofer, and a center fill speaker. It also offers a CD player, aux input and an SD® card slot with MP3 capability. The Radio Data System [RDS] on the color screen displays several types of FM radio information, as well as SIRIUS® Satellite Radio information. And the Graduated Audio Level Adjustment [GALA] ensures optimal volume levels as cabin noise increases with speed.

+

Three-zone climate control | Both driver and front passenger, as well as the occupants of the rear seats, can select their required temperature and distribution of air individually for their particular seating area.

+

Twelve-way power front seats | Includes four-way power lumbar adjustment and adjustable head restraints.

+

Privacy glass | The dark-tinted glass on rear windows provides passengers with extra privacy. The windows reduce the intensity of sunlight and heat buildup in the vehicle's interior. That means more comfort, particularly in the summer.

+

Aluminum roofrails with crossbars | The multifunctional roofrails give the Audi Q5 extra versatility, adding to the sporty and practical traits of the vehicle. With the crossbars in place, the vehicle's ESP® is adjusted to suit the higher center of gravity.

* Feature not shown.



Audi Q5. Premium Plus

1.

Audi xenon plus with LED daytime running lights | The high-intensity discharge headlights are mercury-free and produce about twice as much light as comparable halogen headlights. They make night driving, particularly in poor weather, safer and easier for the driver's eyes.

2.

Panorama sunroof | The two-piece panorama sunroof produces a unique, refreshingly airy driving experience and a light-filled interior atmosphere. The rear panel is fixed, while the front can be tilted and opened. Outstanding fresh-air comfort combines with excellent aeroacoustics, including a mesh wind deflector, for an extremely low noise buildup.

3.

Bluetooth® | The Bluetooth® hands-free phone interface allows you to pair a Bluetooth®-enabled mobile phone with your Audi and access your phonebook within the driver information display in your instrument panel or MMI® screen. For specific compatibility and operation instructions, refer to audiusa.com/bluetooth or contact your local Audi dealer for the latest listing of compatible phones.

4.

Power tailgate | The tailgate conveniently opens and closes with the touch of a button. The desired opening height can be individually adjusted.

+

Memory for driver seat and exterior mirrors | The technologically advanced memory system automatically adjusts the seat's fore/aft position, height, angle of seat cushion and seat back settings as well as exterior mirrors, based on the key that is being used.

+

Audi symphony radio | Audi symphony radio features AM/FM stereo with a six-disc in-dash CD player and one SD® card slot with MP3 capability. The Radio Data System [RDS] displays several types of information about FM radio, including station, track and artist. Graduated Audio Level Adjustment [GALA] ensures optimal volume levels as cabin noise increases with speed.

+

HomeLink® universal garage door opener | HomeLink® is integrated into the overhead controls and uses a simple three-button system that controls garage doors, gates and even lights in the home.

+

Heated front seats | The multilevel seat heating system is designed to heat the entire surface of the seat. Warming is initiated with a convenient knob.

+

Audi music interface | The Audi music interface offers intelligent integration with the iPod®. Any iPod Generation 4 and higher [iPod, iPod nano, iPod photo] equipped with the Dock Connector may be connected through the glove box, and full iPod controls are available through the MMI® screen.

+

Auto-dimming interior mirror with compass | The rearview mirror with compass recognizes distracting bright light behind the car and darkens the mirror glass automatically.

+

Auto-dimming and power folding mirrors | The exterior mirrors with automatic dimming recognize glaringly bright headlight beams behind the car and darken the mirror glass automatically. The power-folding feature helps protect the mirrors by collapsing them inward to fit in tight spaces.

+ Feature not shown.



Audi Q5. Prestige



1. **19" five-arm alloy wheels with 235/55 all-season tires** | This wheel comes equipped with all-season tires that help ensure a safe and comfortable ride on virtually all driving surfaces.



2. **Bang & Olufsen® Sound System** | The Bang & Olufsen® Sound System includes 14 speakers with 505 digitally amplified watts and surround sound reproduction. Microphone-based noise compensation ensures optimum sound under varying road conditions and speeds.



3. **Advanced key** | With Audi advanced key, the car can be unlocked and started without removing the key from a pocket or purse. At the same time, the steering is released and the ignition turned on electronically – all without inserting the key in the ignition.



4. **Audi MMI® Navigation plus Package** | The Audi MMI® Navigation plus features a seven-inch, full-color LCD screen and MMI® control logic. The Audi Q5 comes equipped with the latest generation of MMI®, powered by a 40-gigabyte hard drive and an NVIDIA® chip to enhance graphics. This generation of MMI® offers 3-D topography, including the buildings in many cities. The package includes a color driver information system, real-time traffic, and navigation through audible route guidance and graphics. Also included is the Audi parking system advanced with rearview camera.

Audi Q5. Stand Alone Options†

1. [Prestige only]

Audi side assist | Audi side assist system monitors the blind spot areas, as well as fast-approaching vehicles, at a range of about 150 ft. to the rear of the car. If Audi side assist identifies another vehicle, it informs the driver via LED lights in the exterior mirror.

2. [Prestige only]

20" five-arm alloy wheels with 255/45 summer performance tires* | This wheel comes equipped with summer performance tires, which provide the driver with superior handling.

3.

Panorama sunroof | The two-piece panorama sunroof produces a unique, refreshingly airy driving experience and a light-filled interior atmosphere. The rear panel is fixed, while the front can be tilted and opened. Outstanding fresh-air comfort combines with excellent aeroacoustics, including a mesh wind deflector, for an extremely low noise buildup.

4.

Bluetooth® and HomeLink® Package | The Bluetooth® hands-free phone interface allows you to pair a Bluetooth®-enabled mobile phone with your Audi and access your phonebook within the driver information display in your instrument panel or MMI® screen. For specific compatibility and operation instructions, refer to audiusa.com/bluetooth or contact your local Audi dealer for the latest listing of compatible phones. HomeLink® is integrated into the overhead controls and uses a simple three-button system that controls garage doors, gates and even lights in the home.

+

Audi MMI® Navigation plus Package | The Audi MMI® Navigation plus features a seven-inch, full-color LCD screen and MMI® control logic. The Audi Q5 comes equipped with the latest generation of MMI®, powered by a 40-gigabyte hard drive and an NVIDIA® chip to enhance graphics. This generation of MMI® offers 3-D topography, including the buildings in many cities. The package includes a color driver information system, real-time traffic, and navigation through audible route guidance and graphics. Also included is the Audi parking system advanced with rearview camera.

+

Audi drive select | Audi drive select controls the vehicle's adaptive suspension, dynamic steering, transmission shift characteristics and engine response. The system offers your Audi four distinct driving configurations: Comfort, Auto, Dynamic and Individual.

+

Audi music interface | The Audi music interface offers intelligent integration with the iPod®. Any iPod Generation 4 and higher [iPod, iPod nano, iPod photo] equipped with the Dock Connector may be connected through the glove box, and full iPod controls are available through the MMI® screen.

+

Rear side airbags** | Rear side airbags offer the second-row outboard occupants enhanced impact protection.

+

Heated front seats | The multilevel seat-heating system is designed to heat the entire surface of the seat. Warming is initiated with a convenient knob.

+

19" five-arm alloy wheels with 235/55 all-season tires | This wheel comes equipped with all-season tires, helping to ensure a safe and comfortable ride on virtually all driving surfaces.

† Feature not shown.



Audi Q5. S line Package



[2]



S line available on Audi Q5 Premium Plus and Prestige

1. Exterior features | The exterior S line features of the Audi Q5 include 20" wheels, high-powered headlight washers, S line specific front and rear bumpers, front grille, side valances and S line badging.

2. 20" S line wheels with 255/45 summer performance tires* | This S line wheel offers a sleek and stylish look and feel. The lightweight alloy helps to improve the driving dynamics, while the summer performance tires help to ensure superior handling.

3. Headlight washers | The retractable, high-pressure headlight washers concealed in the front bumper are activated when the driver washes the windshield and the headlights are on.

4. Sport steering wheel with shift paddles | The three-spoke, leather-wrapped design has a sporty look and feel, further accented in the S line Package by contrast-color stitching and the S line badge. The multifunction steering wheel provides easy access to infotainment functions.

5. Brushed aluminum inlays | The quality of materials and craftsmanship of the Audi Q5 interior is highlighted by elegant and sporty brushed aluminum decorative inlays extending across the center console and doors.

6. S line aluminum doorsills | The interior S line features of the Audi Q5 include brushed aluminum doorsills with S line badging.

*** 20" S line chrome wheels with 255/45 summer performance tires*** | The ten-spoke design is a refined choice, matching the sophistication of the Audi Q5. It comes equipped with summer performance tires that help provide the driver with superior handling. See page 24 for reference.

* Feature not shown.

* See page 30 for important safety information regarding summer performance tires.

Audi Q5. Wheels



1. Premium Wheel, Premium Plus Wheel

18" ten-spoke V design alloy wheels with 235/60 all-season tires | This wheel is standard on the Premium and Premium Plus Packages. The lightweight alloy helps improve driving dynamics.

2. Prestige Wheel, Optional Wheel on Premium Plus

19" five-arm alloy wheels with 235/55 all-season tires | This sporty and powerful wheel is standard on the Prestige Package and optional on the Premium Plus Package. It comes equipped with all-season tires, helping to ensure a safe and comfortable ride on virtually all driving surfaces.

3. Optional Wheel on Prestige

20" five-arm alloy wheels with 255/45 summer performance tires* | This wheel is optional on the Prestige Package. It comes equipped with summer performance tires, which provide the driver with superior handling.

4. S line Wheel

20" five-double-spoke alloy wheels with 255/45 summer performance tires* | This lightweight alloy wheel helps to improve the driving dynamics, while the summer performance tires help to ensure superior handling.

5. Optional S line Wheel

20" ten-spoke chrome wheels with 255/45 summer performance tires* | This S line wheel offers a sleek and stylish look and feel and is a refined choice, matching the sophistication of the Audi Q5. It comes equipped with summer performance tires that help provide the driver with superior handling.

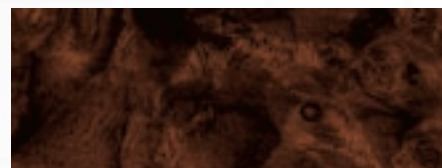
* Summer performance tires are designed for optimum performance and handling in warm climates. They are not suitable for cold, snowy or icy weather conditions. If you drive under those circumstances, you should equip your vehicle with all-season or winter tires, which offer better traction under those conditions. We suggest you use the recommended winter or all-season tires specified for your car or its equivalent. These summer performance tires also have a lower aspect ratio that aids performance and handling; however, in order to avoid tire, rim or vehicle damage, it is important that the inflation pressure is regularly checked and maintained at recommended levels. Serious wheel and tire damage may occur if the vehicle is operated on rough or damaged road surfaces or upon encountering road debris or obstacles. Please also remember in making your selection that, while these tires deliver responsive handling, they may ride less comfortably and make more noise than other choices. Finally, these tires may wear more quickly than other choices. For more information on all of these topics, please consult the owner's manual, your local dealer or call 1-800-FOR-AUDI.

Audi Q5. Interior Seating and Decorative Inlay Options

Brushed Aluminum Inlay (S line)



Natural Walnut Wood Inlay



Natural Walnut Wood Inlay



Natural Walnut Wood Inlay



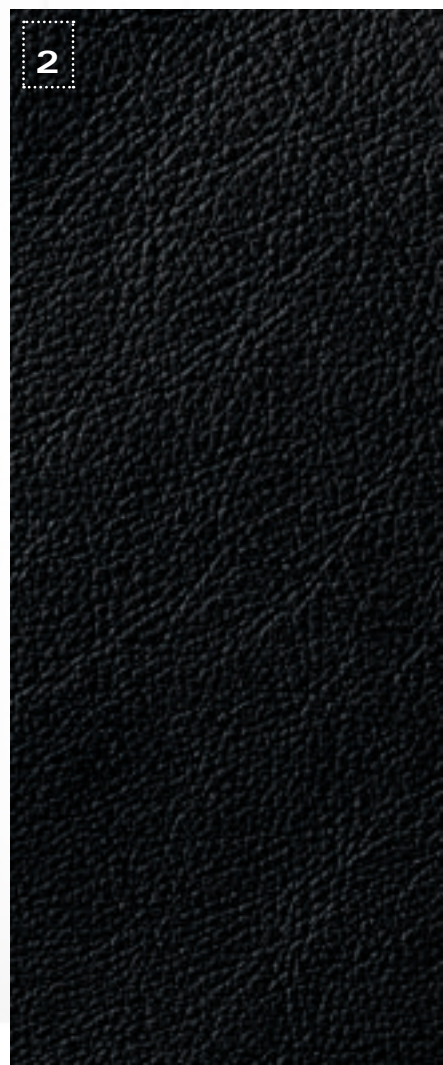
Almond Beige Ash Wood Inlay



Cinnamon Brown



Black



Light Gray



Cardamom Beige



Audi Q5. Make Yours.



Audi Q5. Quartz Gray metallic*



Audi Q5. Deep Sea Blue pearl effect*



Audi Q5. Meteor Gray pearl effect*



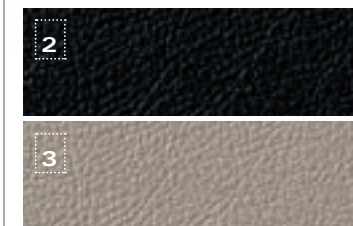
Audi Q5. Dakar Beige metallic*



Audi Q5. Garnet Red pearl effect*



Audi Q5. Ice Silver metallic*



Audi Q5. Ibis White



Audi Q5. Brilliant Black



- 1 Cinnamon Brown [Delayed availability]
- 2 Black
- 3 Light Gray
- 4 Cardamom Beige

*Additional charge

Audi Q5 Variants. 2009 Specifications

Audi Q5 Standard Equipment

Audi Q5 3.2 Premium	Audi Q5 3.2 Premium Plus	Audi Q5 3.2 Prestige	Technical/Suspension
S	S	S	Aluminum five-link front and trapezoidal-link rear suspension
S	S	S	quattro® all-wheel drive, rear biased [40:60 split], self-locking center differential
S	S	S	Trailer hitch prep with towing capacity: max 4,400 lbs.

Audi Q5 3.2 Premium	Audi Q5 3.2 Premium Plus	Audi Q5 3.2 Prestige	Safety & Security
S	S	S	Tire pressure monitoring system
S	S	S	Electronic Stabilization Program [ESP®] with rollover mitigation
S	S	S	Electronic Differential Lock [EDL]
S	S	S	Anti-Slip Regulation [ASR]
S	S	S	Anti-lock Braking System [ABS]
S	S	S	Electronic Parking Brake [EPB]
S	S	S	Audi hill descent control
S	S	S	Sideguard™ head protection airbags for all outboard occupants with rollover sensor*
S	S	S	Driver and front passenger dual-stage and dual-threshold next-generation airbag supplemental restraints with occupant sensor†
S	S	S	Driver and front passenger seat-mounted chest side airbags and optional rear side airbags†
S	S	S	Front three-point safety belts with automatic pre-tensioning, height-adjustable upper mounts and force limiters
S	S	S	Height-adjustable safety belts
S	S	S	Lower Anchors and Tethers for Children [LATCH] in rear seats
S	S	S	Daytime running lights
S	S	S	Anti-theft vehicle alarm system with immobilizer
S	S	S	Light/rain sensor
S	S	S	Temporary inflatable spare tire

* Airbags are supplemental restraints only and will not deploy under all accident circumstances. Always use safety belts and seat children in the rear, using restraint systems appropriate for their size and age.

†† Summer performance tires are designed for optimum performance and handling in warm climates. They are not suitable for cold, snowy or icy weather conditions. If you drive under those circumstances, you should equip your vehicle with all-season or winter tires, which offer better traction under those conditions. We suggest you use the recommended winter or all-season tires specified for your car or its equivalent. These summer performance tires also have a lower aspect ratio, which aids performance and handling; however, in order to avoid tire, rim or vehicle damage, it is important that the inflation pressure is regularly checked and maintained at recommended levels. Serious wheel and tire damage may occur if the vehicle is operated on rough or damaged road surfaces or upon encountering road debris or obstacles. Please also remember in making your selection that while these tires deliver responsive handling, they may ride less comfortably and make more noise than other choices. Finally, these tires may wear more quickly than other choices. For more information on all of these topics, please consult the owner's manual or your local dealer or call 1-800-FOR-AUDI.

† Your Audi vehicle is equipped with a phone preparation utilizing the Bluetooth® interface to enable hands-free functionality (compatible mobile phones sold separately). You will need a Bluetooth®-enabled mobile phone in order to utilize this function. Not all Bluetooth®-enabled mobile phone models are compatible with Audi phone preparation. Visit audiusa.com/bluetooth, or contact your local Audi dealer for the latest listing of compatible phones. Audi recommends use of the Audi phone cradle (sold separately) with your mobile phone while operating this vehicle.

†† Audi Navigation plus depends on signals from the worldwide Global Positioning Satellite network. The vehicle's electrical system, and existing wireless and satellite technologies, must be available and operating properly for the system to function. The system is designed to provide you with suggested routes in locating addresses, destinations and other points of interest. Changes in street names, construction zones, traffic flow, points of interest and other road system changes are beyond the control of Audi of America, Inc. Complete detailed mapping of lanes, roads, streets, toll roads, highways, etc., is not possible; therefore you may encounter discrepancies between the mapping and your actual location. Please rely on your individual judgment in determining whether or not to follow a suggested Audi Navigation plus route. Periodically, the mapping is updated, and a visit to your dealer will be required in order to maintain the latest navigation information available to us. These updates will be available for purchase from time to time at additional cost. Consult your dealer or call 1-800-FOR-AUDI for details.

Audi Q5 Package Content

Audi Q5 3.2 Premium	Audi Q5 3.2 Premium Plus	Audi Q5 3.2 Prestige	Features
S	S	-	18" wheels with all-season tires
-	O	S	19" wheels with all-season tires
-	-	O	20" wheels with summer performance tires**
-	O	O	20" wheels with summer performance tires** [S line only]
-	O	O	20" chrome wheels with summer performance tires** [S line only]
S	-	-	Audi concert radio with ten speakers
-	S	-	Audi symphony radio with six-CD changer
-	-	S	Bang & Olufsen® Sound System
O	S	S	Audi music interface
S	S	S	SIRIUS® Satellite Radio
S	-	-	Halogen front free-form headlights
S	S	S	Front fog lights [halogen]
-	S	S	Audi xenon plus with LED daytime running lights
S	S	S	Aluminum roof rails with crossbars
-	S	S	Stainless steel trunk edge trim and doorsills
S	S	S	Wood decorative inlays
S	S	-	Trip computer with driver information display
-	O	S	Color trip computer with driver information display
S	S	S	Leather seating surfaces, twelve-way power front seats including electric lumbar support
S	S	S	Second-row bench seat, 60/40 split with load-through
O	S	S	Heated front seats
-	S	S	Memory for driver seat and exterior mirrors
S	S	S	Heated and power mirrors
-	S	S	Auto-dimming and power-folding exterior mirrors
-	S	S	Auto-dimming interior mirror with compass

Audi Q5 3.2 Premium	Audi Q5 3.2 Premium Plus	Audi Q5 3.2 Prestige	Features
O	S	S	HomeLink® universal garage door opener
O	S	S	Bluetooth® hands-free phone interface†
S	S	S	Three-zone climate control
-	S	S	Power tailgate
S	S	S	Cruise control
S	S	S	LED rear lights
O	O	O	Rear side airbags†
S	S	S	Privacy glass
O	S	S	Panorama sunroof
S	S	S	Four-spoke, leather-wrapped, multifunction steering wheel
S	S	S	Front center armrest with adjustable length and height
S	S	S	Adjustable tilt and telescoping steering column
-	-	S	Audi advanced key
-	-	O	Audi side assist
-	-	O	Audi drive select
S	S	S	Three power outlets
S	S	S	Two outlet exhaust
S	S	S	Telescoping sun visor with illuminated vanity
S	S	S	Storage Package: Storage nets, front passenger floor, front seatbacks and under cargo storage tray
-	O	S	Audi MMI® Navigation plus: [HDD navigation with voice control, APS advanced with rearview camera, color driver information display, single CD/DVD player]††
-	O	O	S line Package: 20" S line wheels with summer performance tires; brushed aluminum inlays, headlight washers, modified front grille, S line front and rear bumpers and side valances, S line side-badging with S line door sills, S line three-spoke multifunction steering wheel with shift paddles, black headliner

-	Not Available	S	Standard	O	Option
---	---------------	---	----------	---	--------

Audi Q5. 2009 Specifications

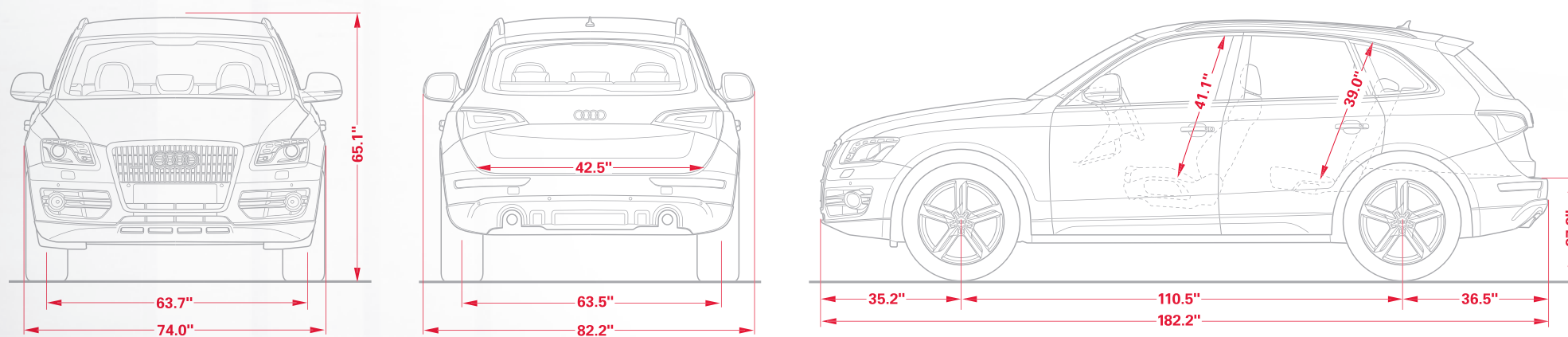


Audi Q5. Model Configuration

Audi Q5 3.2 270 hp with six-speed Tiptronic® automatic transmission and quattro® all-wheel drive

Power and Performance

- Audi Q5 3.2 | 270 hp: DOHC all-aluminum 90-degree 3.2 liter V6 with FSI® Direct Injection, variable valve timing with Audi valvelift system
- | Displacement: 3.2 liters [3197 cc]
- | Bore: 3.37 in.
- | Stroke: 3.65 in.
- | Compression ratio: 12.5:1
- | Horsepower: 270 hp @ 6500 rpm
- | Torque: 243 lb-ft. @ 3000 rpm
- | 0-60 mph in seconds: 6.7
- | Top track speed*: 130 mph
- | Fuel economy**: N/A



*Top track speed electronically limited to 130 mph in the U.S. Obey all local speed and traffic laws. **Fuel economy standards not available at time of printing.

[1]



[2]



[3]



[4]



[5]

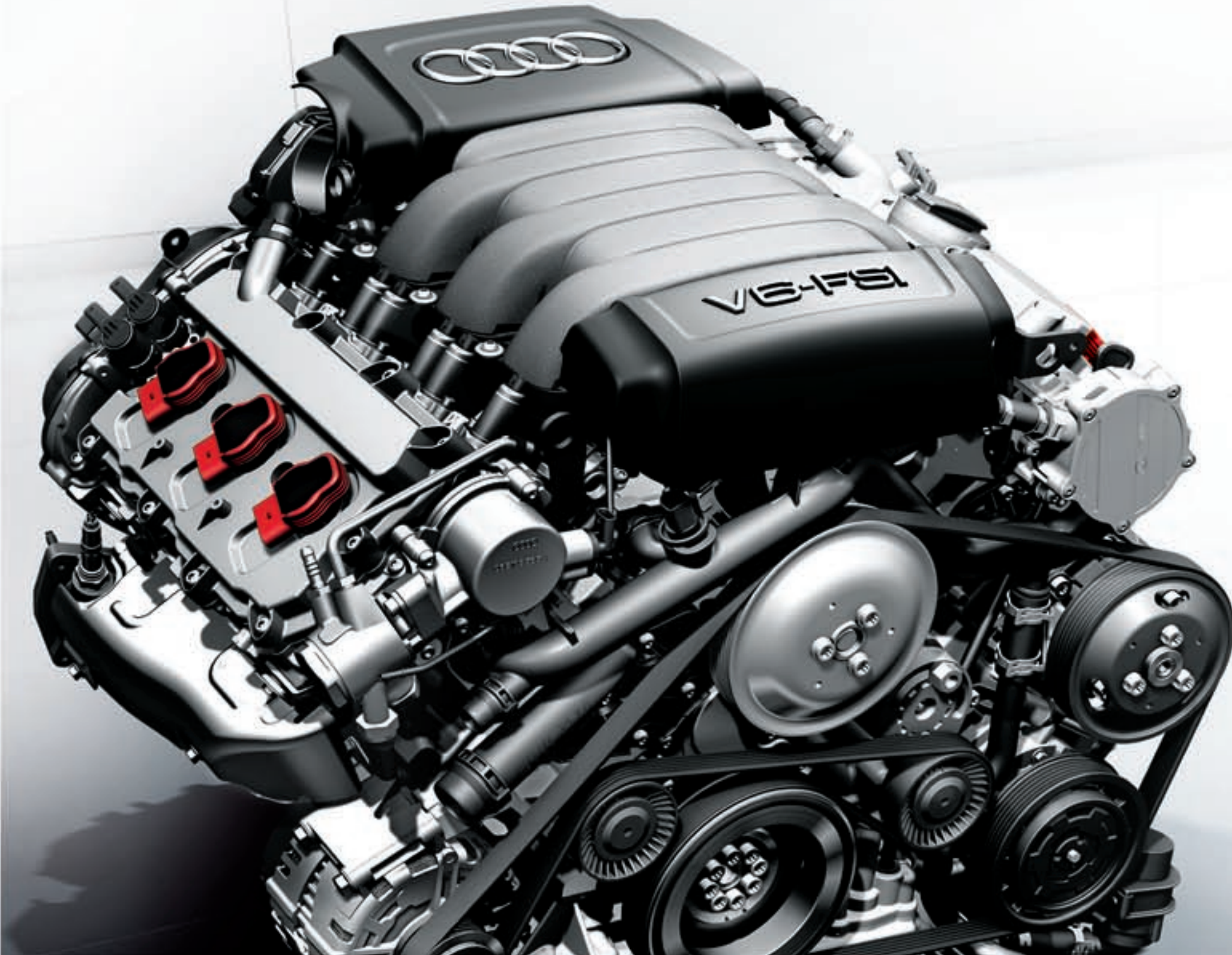
1. **The Audi Q5 off-road Package** | These Audi Genuine Accessories protect your vehicle and reflect your personal style. Many owners will feel compelled to select this entire package. Together these accessories strongly accent the off-road character of the Audi Q5.

2. **Front valance** | This Audi Q5 front valance also features a stainless steel skid plate. Together, they add style and provide protection against stone chips and uneven terrain when driving off-road. Painted Stone Gray metallic. [Available with off-road Package only.]

3. **Rear valance** | This rear valance accents the dynamic rear lines of the Audi Q5, and at the same time protects the rear underbody of the vehicle with a stainless steel skid plate. Painted Stone Gray metallic. [Available with off-road Package only.]

4. **Premium textile floor mats** | These precision-fit mats are made of long-life fabric to help protect the interior of your Audi Q5 from the elements. Skid resistant. Available in Black. Set of four mats.

5. **20" ten-spoke alloy wheels** | Consider our alloy wheels. Specially engineered to meet strict tolerances. Heat-treated after casting for even greater strength and durability. A set of alloy wheels can transform your Audi Q5 – and make it uniquely yours.



The power of control.

The evolution of technology is the evolution of Audi. The commitment to innovative driving enhancements is second to none. Below are just four reasons Audi performance is unlike any other. Each is designed to deliver an unforgettable driving experience.



FSI® Direct Injection

This technology increases the torque and power of the engine, making it more economical as well as reducing exhaust emissions. More power, better economy and reduced emissions. It's a win-win-win for everyone.



Tiptronic®

Tiptronic® allows the driver to manually select the gears and enables gear changes to take place with minimal interruption in engine power, even during downshifts. An additional sport program delays upshifts for a sportier driving style.



quattro®

Developed and continually refined by Audi, quattro® offers a significantly enhanced level of all-wheel drive performance. With a 40:60 split of power between the front and rear in normal conditions, quattro® becomes simply superlative in the worst of conditions by dynamically shifting torque as required.



Audi drive select

Blending four cars into one, Audi drive select adapts the dynamics of the Audi Q5 to suit the driving experience you desire. The system controls the adaptive suspension, the dynamic steering, the transmission shift characteristics and the engine response. Four operating modes are available: Comfort, Automatic, Dynamic and Individual, which allows a custom response profile.

**Life's better when you have
intuition working for you.**

Prevention is always the most effective means of safety. That's why the Audi Q5 features a number of comprehensive safety systems.

ESP® with rollover mitigation. ESP® allows the driver to maximize control in adverse conditions or when the car is at its handling limit. By employing a number of safety systems, including ABS [Anti-lock Braking System], EBD [Electronic Brake-pressure Distribution], EDL [Electronic Differential Lock] and ASR [Anti-Slip Regulation] in a fraction of a second, your Audi Q5 helps the driver maintain control.

Roof rack detection system. The roof rack detection system is directly linked to the ESP® control unit. When the crossbars are installed, a signal is sent that adjusts driving dynamic-relevant parameters according to the center of gravity. When the crossbars are not installed, the ESP® program adjusts dynamics to allow for more enthusiastic driving.

Airbags. The Audi Q5 is equipped with no fewer than three variations of airbags: next-generation front airbags* for driver and front passenger, seat-mounted side airbags* for driver and front passenger and comprehensive Sideguard™ airbags* for both rows, with rollover sensor.





audiusa.com

2009 Audi Q5

**If all of this wasn't enough to convince you,
perhaps a visit to your nearest dealer will.**

Note: A word about this brochure. Audi of America, Inc., believes the specifications in this brochure to be correct at the time of printing. However, specifications, standard equipment, options and colors are subject to change without notice. Some equipment may be unavailable when your vehicle is built. Please ask your dealer for advice concerning current availability of standard and optional equipment and verify that your vehicle will include the equipment you ordered. Vehicles in this brochure are shown with optional equipment. Tires supplied by various manufacturers. "TRUTH IN ENGINEERING" is a trademark of Audi of America, Inc. "Audi", "quattro", "Q5", "FSI", the four rings and Audi emblems are registered trademarks of Audi AG. "Tiptronic" is a registered trademark of Dr. Ing h.c. F. Porsche AG. "ESP" is a registered trademark of Daimler AG. "HomeLink" is a registered trademark of Prince Corporation, Holland, Michigan. Prince is a wholly owned subsidiary of Johnson Controls". "SIRIUS" is a registered trademark of SIRIUS Satellite Radio, Inc. "SD" is a registered trademark of the SD Card Association. "Bluetooth" is a registered trademark of Bluetooth SIG. "iPod" is a registered trademark of Apple Computer, Inc.

©2008 Audi of America, Inc.